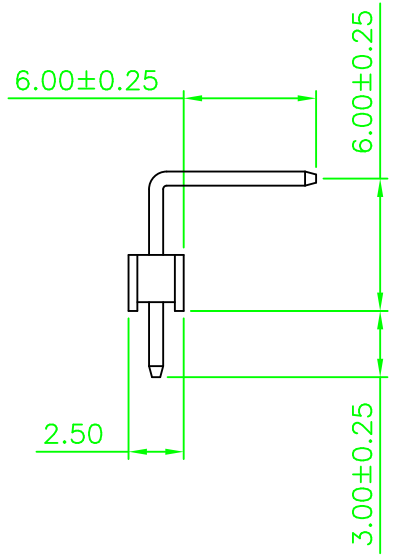
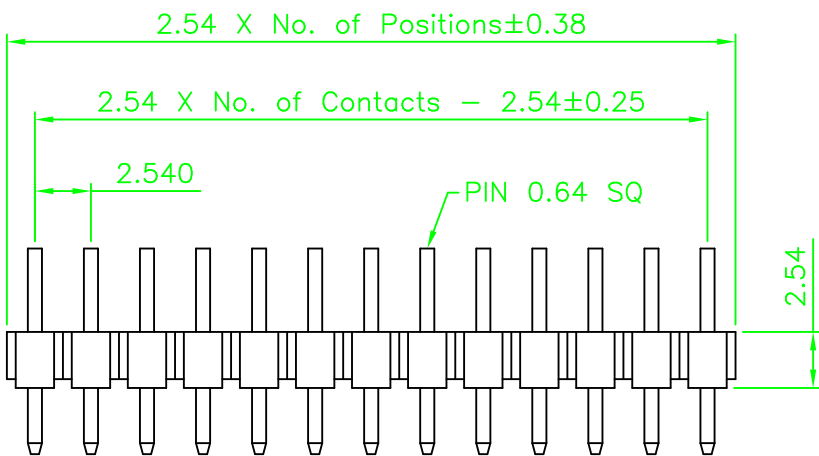


1 2 3 4 5 6 7 8 9

REV.	DESCRIPTION	DATE

F

F



Specifications
 Current Rating: 3Amp
 Insulation Resistance: 1000M Ω Min.
 Dielectric Withstanding: 600V AC/DC
 Contact Resistance: 20m Ω Max.
 Operating Temperature: -40°C to +105°C

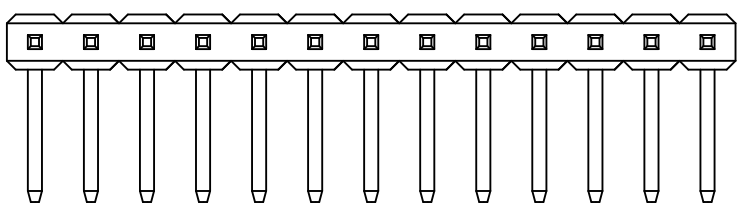
Materials
 Contact Material: Copper Alloy
 Insulation Material: Polyester, UL 94V-0 P.B.T
 All materials must be Geron materials

E

E

D

D



C

C

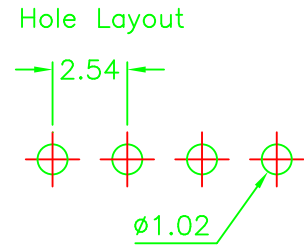
Ordering Information

GRA91 - XX XX W07

No. of Pins per Row
02-40

Contact Plating
 01=Tin
 02=Gold Flash
 Duplex plating
 05=Gold Flash /Tin
 ...

Recommended P.C.Board



B

B

A

A

Geron Electronic Co.,Ltd

GENERAL TOLERANCE		DESIGN:	CHEN	DATE:	14.12.1	DWG. NO.	GRA91-W07	TITLE.	2.54 PIN HEADER
X.* $\pm 5^\circ$	X. \pm	CHECKED:		DATE:		PART NO.	GRA91-XX-XX-W07	SINGLE ROW R/A TYPE	
.X* $\pm 2^\circ$.X ± 0.38	AUDITED:		DATE:				BASE 2.54H	
.XX* $\pm 1^\circ$.XX ± 0.25	APPROVED:		DATE:					
.XXX* $\pm 0.5^\circ$.XXX ± 0.13								

REV.	A	UNIT.	mm	SCALE.	3:1

1 2 3 4 5 6 7 8 9